



JCB MINI EXCAVATORS | 803 PLUS

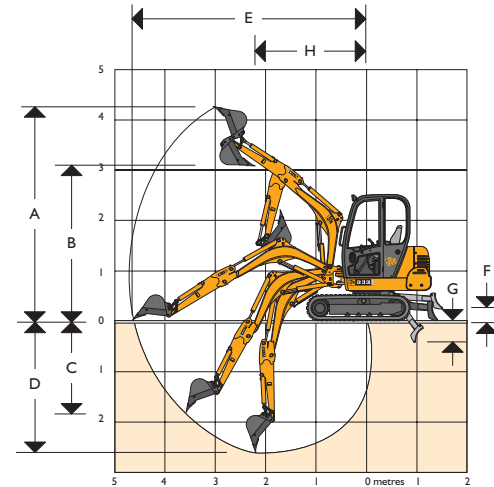
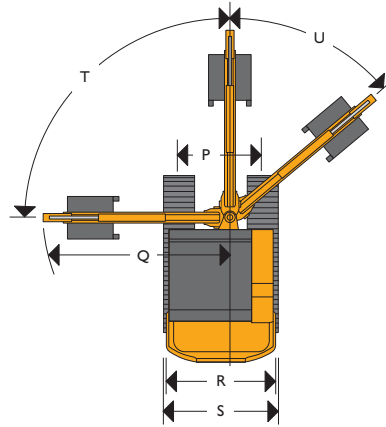
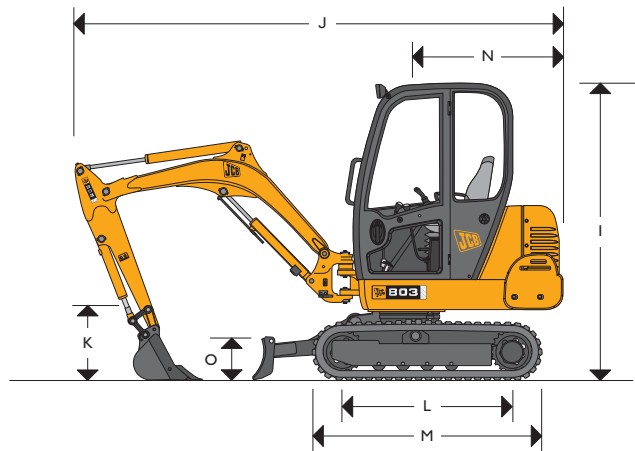


MAX. ENGINE POWER

32hp (23.9kW)

MAX. DIG DEPTH:

9ft 1in (2.78 meters)



PERFORMANCE DIMENSIONS

Machine model		803 PLUS
Dipper size	ft-in (mm)	4-7 (1400)
A Max dig height	ft-in (mm)	14-6 (4420)
B Max dump height	ft-in (mm)	10-6 (3202)
C Max vertical dig depth	ft-in (mm)	6-6 (1981)
D Max dig depth-dozer up	ft-in (mm)	9-3 (2819)
Max dig depth-dozer down (L. Dozer)	ft-in (mm)	9-11 (3015)
E Max reach (ground level)	ft-in (mm)	15-8 (4775)
Bucket rotation	degrees	188°
F Dozer cut above ground (L. Dozer)	ft-in (mm)	0-10 (254) 1-0 (307)
G Dozer cut below ground (L. Dozer)	ft-in (mm)	1-0 (307) 2-3 (696)
H Min. slew radius	ft-in (mm)	5-3 (1600)
I Overall Height (transport position)	ft-in (mm)	7-10 (2388)
J Overall Length (transport position)	ft-in (mm)	13-9 (4191)
K Kingpost clearance	ft-in (mm)	1-10 (559)

PERFORMANCE DIMENSIONS

Machine model		803 PLUS
L Sprocket idler centers (Rubber)	ft-in (mm)	5-0 (1524)
M Undercarriage length (Rubber)	ft-in (mm)	6-7 (2007)
N Tailswing	ft-in (mm)	4-10 (1473)
O Dozer height	ft-in (mm)	1-0 (307)
P Dozer width	ft-in (mm)	5-0 (1524)
Q Min slew radius(no bucket)	ft-in (mm)	5-7 (1702)
R Superstructure width	ft-in (mm)	4-8 (1422)
S Width over tracks	ft-in (mm)	4-9 (1450)
T Boom swing left	degrees	90°
(limit stop installed)	degrees	N/A
U Boom swing right	degrees	50°
Max bucket tearout (SAE J1179)	lb/f (kgf)	4676 (2121)
Max dipper tearout (SAE J1179)	lb/f (kgf)	3822 (1734)
Travel speeds 1st Gear	mph (kph)	1.24 (2)
Travel speeds 2nd Gear	mph (kph)	2.23 (3.6)
Drawbar pull	lb/f (kgf)	5401 (2450)
Slew speed	rpm	9.5

JCB MINI EXCAVATORS | 803 PLUS

Helping You Get the Job Done!



ENGINE

3 cylinder: 403-15, 4 stroke, water cooled diesel engine.

Machine model	803 PLUS	
Model	103-15	
Gross power @ 2600rpm	hp (kW)	27.00 (20.7)
Net power @ 2200rpm	hp (kW)	26.55 (19.8)
Gross torque @ 2000rpm	ft/lbs (Nm)	70.8 (96)
Net torque @ 2000rpm	ft/lbs (Nm)	67.9 (92)
Displacement	cu. in. (cu. cm)	91 (1496)
Starter motor	volt/kW	12/1.2
Battery	volt	12
Alternator	amps	35

Fuel injection system: Bosch type in-line integral fuel injection pump. Protected by separate filter and sedimenter.
Manual override on lift pump

UNDERCARRIAGE

Machine model	803 PLUS	
No. of bottom rollers	4	
Track width	in. (mm)	12 (300)
Ground pressure	lb/sq.in (kg/cm ²)	4.2 (0.29)
Ground clearance	in. (mm)	13 (320)
Track tensioning	Grease	

HYDRAULIC SYSTEM

Machine model	803 PLUS	
Pump	Triple Section Gear	
Nominal output	US gal/min (lpm)	7.3 / 7.3 / 4.7 (27.6 / 27.6 / 17.8)
Excavator/track main relief	psi (bar)	3000 (207)
Slew main relief	psi (bar)	2500 (172)
Auxiliary hydraulic flow @ 2500psi	US gal/min (lpm)	14.89 (56.4)
Hydraulic motors	Piston	

SERVICE CAPACITIES

Machine model	803 PLUS	
Water system capacity	US gal (liters)	2.11 (8)
Fuel tank capacity	US gal (liters)	13.2 (50)
Engine oil capacity	US gal (liters)	1.18 (4.5)
Hydraulic system capacity	US gal (liters)	28.0 (106)
Hydraulic tank capacity	US gal (liters)	24.0 (90.8)

MACHINE WEIGHTS

Machine model	803 PLUS	
Operating weight with 1660mm dipper	lb (kg)	6710 (3044)
With 1400mm dipper	lb (kg)	- 26 (- 12)
With 1100mm dipper	lb (kg)	- 40 (- 18)
With steel tracks	lb (kg)	+ 177 (+ 80.5)
With long dozer	lb (kg)	+ 33 (+ 15)

Note: operating weight to ISO 6016 including cab, rubber tracks, short dozer, 24in (610mm) bucket, full tanks and 165lb (75kg) operator.

EEC NOISE LEVELS (95/27/EC DYNAMIC)

Machine model	803 PLUS	
Cab internal	dB (LpA)	78
Cab external	dB (LwA)	96
Canopy internal	dB (LpA)	79
Canopy external	dB (LwA)	96

