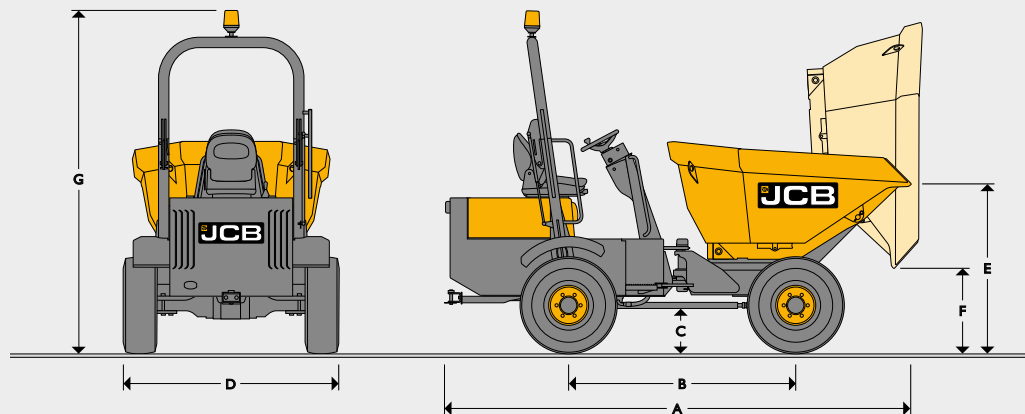


STATIC DIMENSIONS AND CAPACITIES



		1THT	2TFT	2TST	2THS	3TFT	3TST	3TFT	3TST	3.5TST	6TFT	6TST	9TFT	10TFT
A	Overall length	mm	2980	3570	3550		3725	3952	3725	3952	4405	4539	4489	4530
B	Wheel base	mm	1440	1900		1939	1939	1939	1939	1939	2450	2450	2450	2450
C	Minimum ground clearance	mm	241	184		279		385		410				
D	Width	mm	998* / 1120	1492		1957	1846	1957	1846	1846	2300	2207	2502	2550
E	Height to front lip of skip (untipped)	mm	1167	1323	1360	1522	1371	1467	1371	1467	1672	1732	1709	1760
F	Height to front lip of skip (tipped)	mm	1620 (raised)	916	983	1142 (lowered) / 1640 (raised)	208	762	208	762	504	1258	560	440
	Turning radius to outside of skip	mm	2295	3680	3680	3680	4711	4553	4711	4553	5863	5726	5994	6011
	Steering angle		+/- 45°		+/- 30.6°		+/- 30°		+/- 30°		+/- 30°			
	Oscillation		+/- 14°		+/- 10.5°		+/- 10.5°		+/- 10.5°		+/- 10°			
G	Height to top of ROPS (raised with beacon)	mm	2832	2920		2920		3203		3738				

*When fitted with narrow tyres

CAPACITIES

Payload	kg	1000	2000	2000	2000	3000	3000	3000	3000	3500	6000	6000	9000	10000
Unladen weight	kg	1350	N/A	N/A	2320	2300	2330	2320	2340	2340	4275	4480	4920	N/A
Tipping type		Front tip - High tip	Front tip	Swivel tip	Swivel tip - High tip	Front tip	Swivel tip	Front tip	Swivel tip	Swivel tip	Front tip	Swivel tip	Front tip	Front tip
Skip capacity (water)	litres	320	750	750	750	1250	1000	1250	1000	1000	1950	1850	2064	2446
Skip capacity (struck)	litres	450	1000	1000	1000	1600	1520	1600	1520	1520	2750	2740	3899	4128
Skip capacity (heaped)	litres	540	1200	1200	1200	1950	1880	1950	1880	1880	3780	3530	4587	5046

*When fitted with narrow tyres

ENGINE

Type		1THT	2TFT	2TST	2THS	3TFT	3TST	3TFT	3TST	3.5TST	6TFT	6TST	9TFT	10TFT
Engine model		Kubota D905		Kubota D1703M		Kubota V2203M		JCB EcoMAX		JCB EcoMAX				
Capacity	cc	898		1647		2197		4400		4400				
Aspiration		Naturally Aspirated		Naturally Aspirated		Naturally Aspirated		Turbocharged		Turbocharged				
Cylinders		3		3		4		4		4				
Max gross power to SAE J1995/ISO 14396	kW (hp)	15.5 (20.8)		24.5 (32.6)		32.4 (43.5)		55 (74)		55 (74)				
Max torque	Nm	56		105		147		400		400				
Emissions compliance		EU Stage 3A		EU Stage 3A		EU Stage 3A		EU Stage 3B / Tier 4 Final		EU Stage 3B / Tier 4 Final				

TRANSMISSION													
	1THT	2TFT	2TST	2THS	3TFT	3TST	3TFT	3TST	3.5TST	6TFT	6TST	9TFT	10TFT
Type (standard)	Hydrostatic pump to 4 hydraulic wheel motors	Hydrostatic motor via transfer box to front and rear axles			Manual gearbox via transfer box to front and rear axles		Hydrostatic motor via transfer box to front and rear axles			Powershuttle		Powershuttle	Powershift
Type (option)	-	-			-		-			-		Powershift	-
Tyre size	255 / 75 x 15.2 x 8 ply (option 7.0 x 12 narrow tyre)	10.0 / 75 x 15.3 (10 ply)			295 / 80 x 15.3 (10 ply)		295 / 80 x 15.3 (10 ply)			405-70-20 14PR		500-60-22.5 16PR	
Drive	Hydrostatic 1/1	2 / 2 (High and low range – forward and reverse) Hydrostatic – permanent 4WD			Manual – 3 Forward / 1 Reverse		2 / 2 (High and low range – forward and reverse) Hydrostatic – permanent 4WD			4 / 4 Forward and reverse – permanent 4WD			
Max travel speed (unladen) mph (kph)	7 (11)	10 (16)			11.8 (19)		11.8 (19)			16.3 (26.2)		14.66 (23.59)	
Gradeability (maximum slope gradient)	20% (1 in 5)	19.5% (1 in 5)			25% (1 in 4)								20% (1 in 5)

ELECTRICAL SYSTEM														
	1THT	2TFT	2TST	2THS	3TFT	3TST	3TFT	3TST	3.5TST	6TFT	6TST	9TFT	10TFT	
System voltage Volt							12V							
Alternator output Amp hour	30A					55A				95A				
Battery capacity Amp hour					74Ah				100Ah					

SERVICE FILL CAPACITIES													
	1THT	2TFT	2TST	2THS	3TFT	3TST	3TFT	3TST	3.5TST	6TFT	6TST	9TFT	10TFT
Hydraulic tank litres	25	25			37		37			50		50	
Fuel tank litres	35	23			37		37			65		65	

HYDRAULICS													
	1THT	2TFT	2TST	2THS	3TFT	3TST	3TFT	3TST	3.5TST	6TFT	6TST	9TFT	10TFT
Pump 1 max. flow l/min	29	21			30		30			61.2		61.2	
Pump 1 max. pressure bar	152	210			172	210	172	210		172		210	
Steering system	Orbitrol hydrostatic steering unit powering central hydraulic steering ram												

STEERING													
	1THT	2TFT	2TST	2THS	3TFT	3TST	3TFT	3TST	3.5TST	6TFT	6TST	9TFT	10TFT
Working brake	Hydrostatic dynamic braking on rear wheel motors			Multi-plate in-board oil immersed discs on front axle				Foot brake-oil immersed discs on front/rear					
Parking brake	Hydrostatic dynamic braking on rear wheel motors			Over centre handbrake-oil immersed discs on front axle				Over centre parking brake-dry disc on gearbox					

ENVIRONMENTAL													
	1THT	2TFT	2TST	2THS	3TFT	3TST	3TFT	3TST	3.5TST	6TFT	6TST	9TFT	10TFT
Noise emission (to ISO 4871) - Sound pressure (LpAd)	83db	86.1db			84db		84db			81db		81db	
Sound power level (LWAd)	101db	101db			101db		101db			101db		101db	
Noise compliance	Noise - equipment used outdoors directive 2000/14/EC												
Vibration – hand arm (as defined in EN474-1 all operations)	<2.5m/s²												
Vibration – whole body (as defined in ISO/TR 25398-Work Cycle)	0.529rms (0.264m/s² Uncertainty)												

STANDARD EQUIPMENT	OPTIONAL EQUIPMENT
Folding ROPS frame, reversing alarm, flashing beacon, hour meter, seat belt (high visibility orange), seat (adjustable fore/aft, operator weight and back angle), heavy-duty articulation lock, towing/recovery (bracket) (1T N/A), leg guard (optional on 1T, 6T, 9T and 10T), CESAR Datatag security (optional on 1T), wide tyres (255/75 x 15.2 8ply) (standard on 1T only), narrow tyres (7.00x12) (optional on 1T), water in fuel monitoring (on 6T, 9T and 10T).	High visibility safety decals for steps and handrails, rear view mirror, road lights (RTA) including light guards, spare wheel, special paint, fan guard (1T N/A).